

HIGH ENERGY IGNITION MODULE

200-HEP-A6Z Ex POR



HIGH ENERGY IGNITION MODULE

200-HEP-A6Z Ex POR

KEY FEATURES

- High energy ignition system
- Power discharge: 7J
- Output volt: 2kV impulsive capacity discharge
- Ex code: II 2G Ex d IIC T6, T5, T4 Gb
- Degree of Protection: IP66
- Discharge frequency: < 0,6s to > 8s adjustable, preset to 1s
- Ex execution fully certified c/w battery

ACCESSORIES INCLUDED

- Handle
- High energy ignition probe 200-HEF-5AA-BOX
- High energy armored silicon cable for high temperature
- Spark tip code: 200-HEF-9A3
- Battery charger

ELECTRICAL FEATURES

- Nominal operating voltage: 2000V
- Consumption < 1,6A
- Power supply from 11VDC to 13VDC
- Electronics c/w temperature compensation
- Discharge frequencies regulation
- Nr. of sparks with fully battery: approx. 1.000 sparks)

MECHANICAL FEATURES

- Electronic circuits
- Certified for ambient temperature: -50°C to +60°C
- Dimensions: 255x215x190mm
- Unit weight: 15kg approx
- Enclosure: aluminum painted for harsh environment

APPLY TO

- Flares
- Sulphur plants
- Burners

CERTIFICATES

- Flameproof Ex d enclosure is covered by ATEX, IECEx, INMETRO and EAC TR CU certificates.

INTERNATIONAL REGULATION

- CE marking

MANUFACTURER

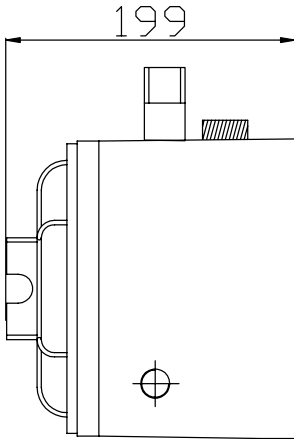
Combustion and Energy Srl
Part number: **200-HEP-A6Z-Ex-POR**



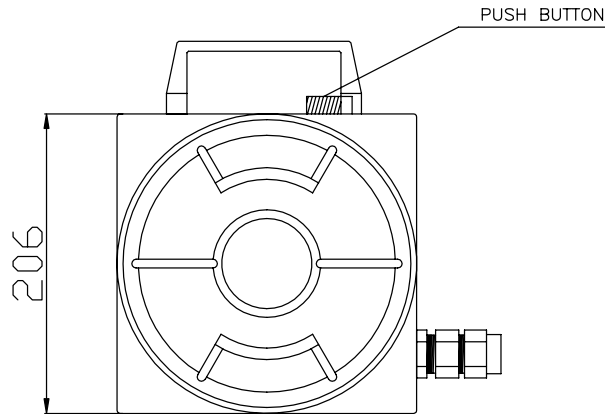
HIGH ENERGY IGNITION MODULE

200-HEP-A6Z Ex POR TECHNICAL DRAWING

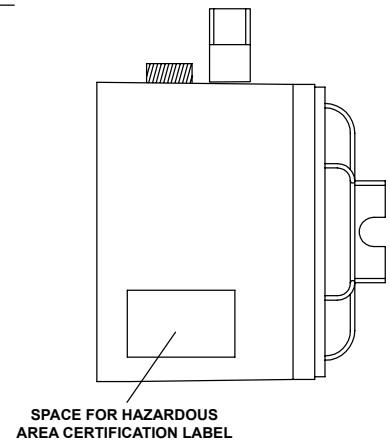
RIGHT SIDE VIEW



FRONT VIEW



LEFT SIDE VIEW



BOTTOM VIEW

